

Manufacturer: EV METALVÆRK A/S RIBOVEJ 1, 6950 RINGKØBING DENMARK. www.evhydrogen.dk +45 97 32 20 33	<h1>Data sheet</h1> Service valve manifold 4-way	Product name:	Service valve manifold
		Article number:	905300-4 9/16
		Type number:	N.A.
		Date:	06-12-2023
		Author initials:	LKP
		Revision:	02
Description 1	Data 1	Description 2	Data 2
Valve size:	9/16" MP / ¼" MP	Marking on valve body:	Article No.
Design pressure:	1500 Bar (1)		Max Allow. Work. Press.
Working pressure:	-1 to 1500 Bar		Production No.
Fluid temperature:	-	Medium/fluid:	Charge No.
Ambient temperature:	-50°C to 50°C	Tests: (2) Shell strength/tightness:	PED Fluid gr. 1&2 (Hydrogen and neutral gas)
Valve Dimensions: Length: Hight: Width:	356 mm	Seat tightness:	EN10266-1 P10 & P11 (2250 Bar water)
	255 mm	Type test:	EN10266-1 P12 Leak
	141 mm		Rate A (1650 Bar Hydrogen)
Weight:	11,5 kg	Certification: PED, 2014/68/EC:	Art. 4 §3 + Appendix I
Connection, inlet:	9/16" MP C/T		
Connection, bleed	¼" MP C/T		
Connection, service:	9/16" MP C/T		
Service port kv value:	0,8	Documentation:	Pressure test certificate Leak test certificate Material certificate User manual
IP protection	N.A.		
Materials: Valve body: Needles Material certificate: Spindle gasket:	EN 1.4404 EN 1.4404 EN 10204 3.1 PTFE/PEEK		

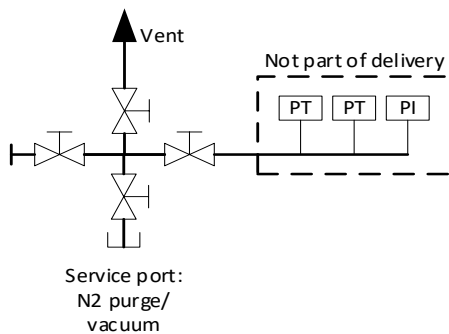
Notes:

1. Instrumentation is not part of the service module! On customer request only.
2. Pressure test only applies to the valve body. Not to instrumentation.

Product description:

Instrument module with double block and bleed function + service access port for gas evacuation, nitrogen purge and vacuum.

Schematic:



Drawing:

