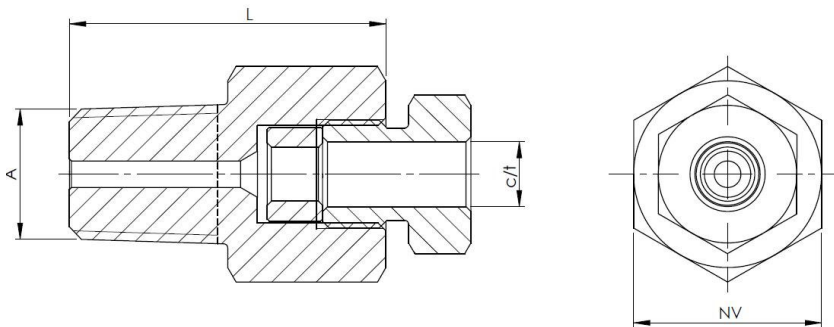


Adapter female-male (9068)

Operating pressure:	15.000psi / 1050 bar
Temperature:	-60 - 200°C
Material body:	AISI316L
Connections:	Cone and thread



Catalogue number	L [mm]	c/t ["]	a ["]	NV [mm]
9068 1/4x1/4N	32	1/4	1/4 NPT	19
9068 1/4x3/8N	32	1/4	3/8 NPT	19
9068 1/4x1/2N	35	1/4	1/2 NPT	22
9068 1/4x1N	42	1/4	1 NPT	36
9068 3/8x1/4N	40	3/8	1/4 NPT	22
9068 3/8x3/8N	38	3/8	3/8 NPT	22
9068 9/16x1/2N	46	9/16	1/2 NPT	27
9068 1½x3/4N	80	1½	3/4NPT	60

Datasheet subject to change without notice

Revision 1