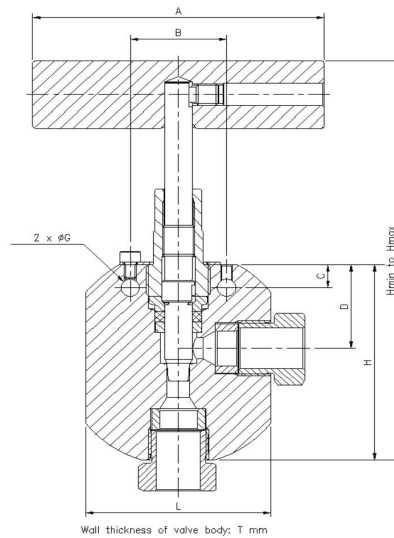


Needle valve ELBOW (905202)

Operating pressure:	1500 bar/21.500 psi
Temperature:	-60°C to +200°C
Material body:	AISI316L
Material spindel:	17-4 PH
Material internal parts:	AISI316L
Material top:	CW307G
Material GASKET:	PTFE + PEEK
Connections:	Cone and Thread connection
Tests:	EN10266-1 P10, 2250 bar water
Seat tightness test:	EN10266-1 P12, 1650 bar water
Compliance:	PED (2014/68/EU)



Catalogue number	Stem	SIZE	A [mm]	B [mm]	C [mm]	D [mm]	H [mm]	H _{max} [mm]	T [mm]	L [mm]	Kv _{max}
905202-8 1/4	Regulating	1/4"	75	35	9,5	28,5	56,2	120	25	50,8	0,25
905202-18 1/4	On/off	1/4"	75	35	9,5	28,5	56,2	120	25	50,8	0,25
905202-8 3/8	Regulating	3/8"	75	31,5	6,2	26,9	56,2	120	25	50,8	0,85
905202-18 3/8	On/off	3/8"	75	31,5	6,2	26,9	56,2	120	25	50,8	0,84
905202-8 9/16	Regulating	9/16"	100	33	8,5	30,5	72,5	158	32	63,5	1,03
905202-18 9/16	On/off	9/16"	100	33	8,5	30,5	72,5	158	32	63,5	1,65
905202-8 3/4	Regulating	3/4"	175	44,7	16	42,7	90	198	40	76	3,32
905202-18 3/4	On/off	3/4"	175	44,7	16	42,7	90	198	40	76	3,35

Revision 2